

DISCOVERY BENCH – available in retractable and fixed applications

A flexible and economic alternative to individual chairs, the Discovery Bench features an upholstered seat and backrest with an integral front fascia board. Designed for use on our retractable systems or fixed tiers, it's simple folding action allows the backrest to be folded effortlessly onto the platform prior to retraction. The flexible configuration of the benches allows optimum seating capacity to be achieved.

APPLICATIONS

The Discovery Bench provides comfortable seating with the flexibility to accommodate varying audience capacities. The robust design makes the product a great solution for sports and school applications.

FEATURES

- Seat centres from 450mm
- Preformed plywood, seat and back structure with generous foam and fully upholstered finish
- Manual folding, bench backrest for retractable applications
- Integrated front fascia board
- Specify Maxam Plus telescopic platforms with 244mm or 295mm rise and 838mm row depth (or)
- Specify Seatway TP, theatre quality, retractable platforms with a 260 to 340mm rise and 800mm row depth or greater
- A tread mounted, fixed version is available

OPTIONS

- Available without backrests for narrow row depths
- Seat numbers and row letters
- Custom powder coat colours
- Sponsor plaques

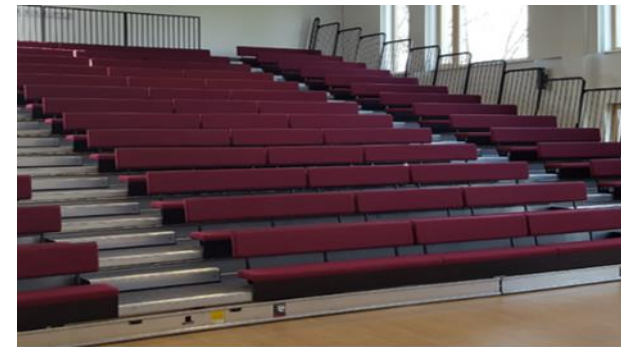
FINISHES

- Fabric from the Namal range by Vescom
- Customers own choice of fabric can also be specified
- Metalwork: Satin back powder coat
- Laminate veneer or painted fascia

TECHNICAL

For all technical details, please see the reverse side of this specification sheet.

CAD drawings are available on request.



 **husseyseatway**
PUBLIC SEATING SYSTEMS

Hussey Seatway Ltd, 3 Centurion Way, Crusader Park, Warminster, Wiltshire, BA12 8BT U.K.

Tel: +44 (0)1985 847200 Fax: +44 (0)1985 847300 www.husseyseatway.com sales@husseyseatway.com



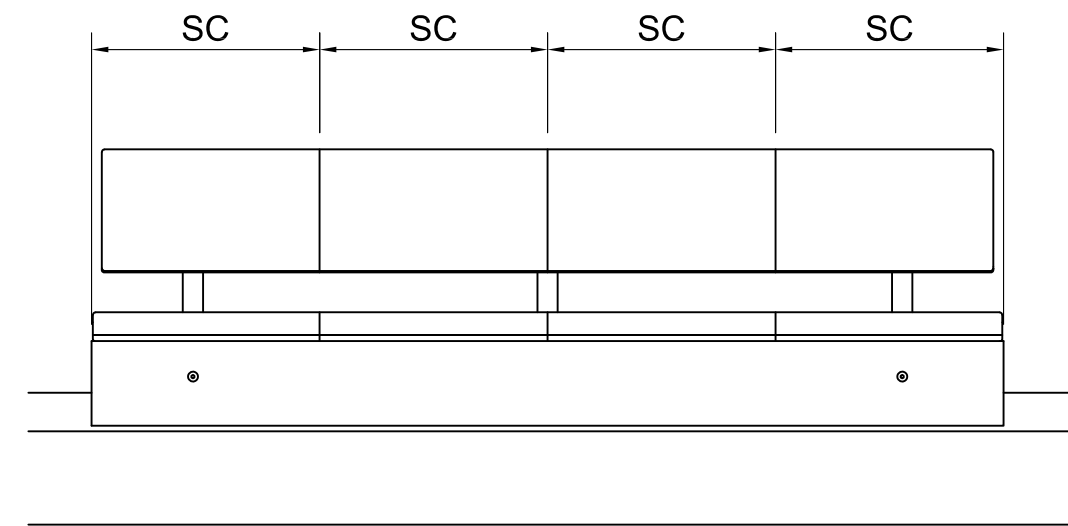
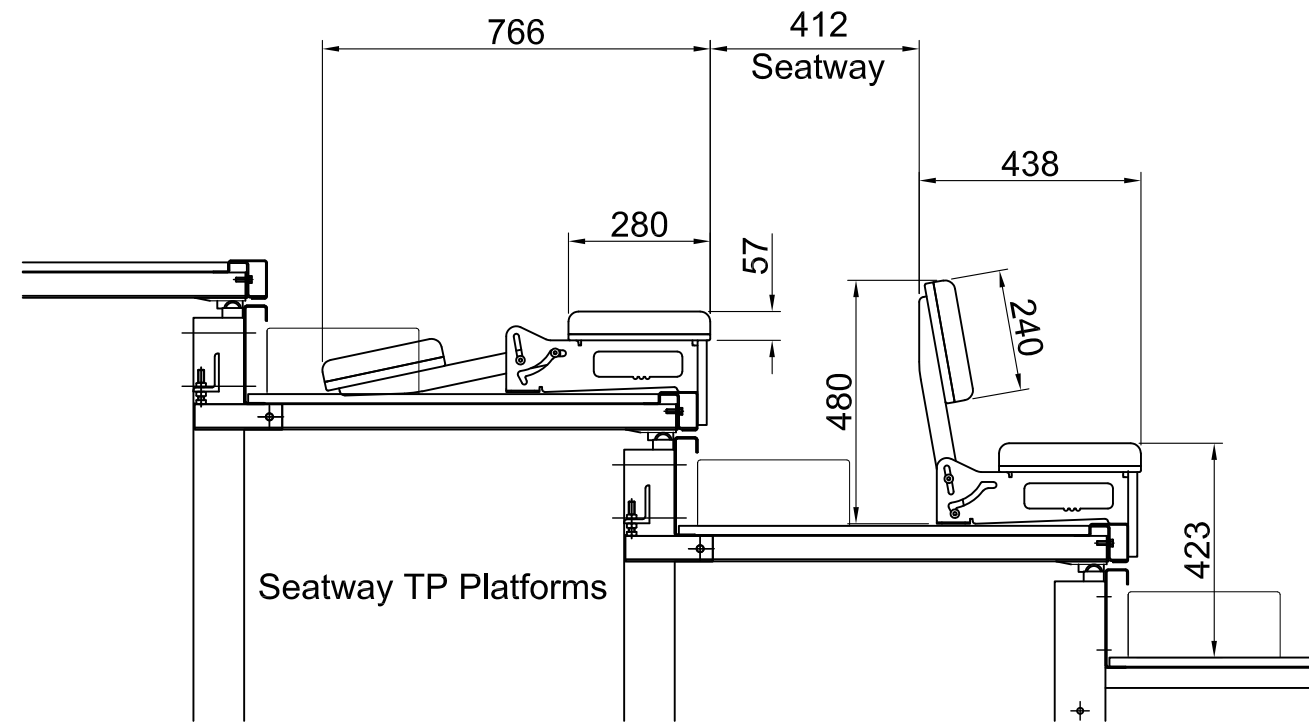
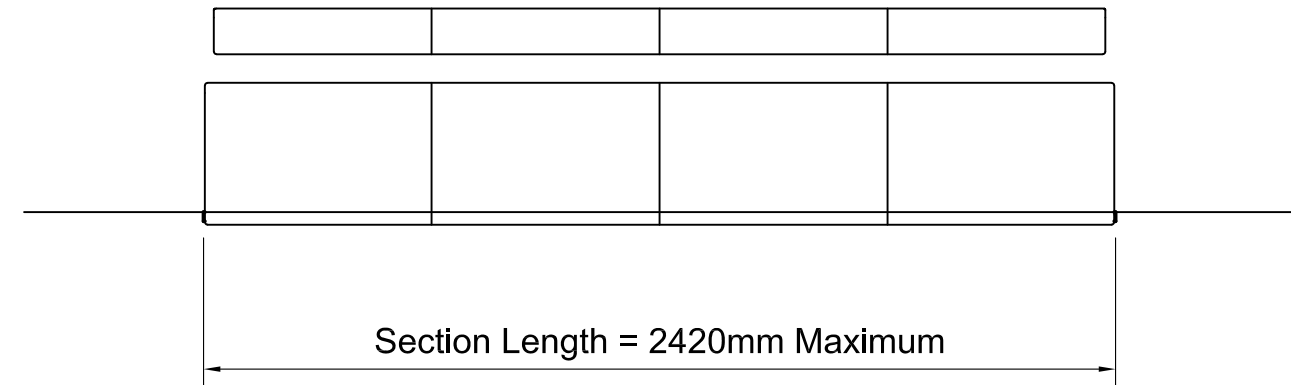
	Minimum	Maximum
Seat Centre (SC)	450mm	N/A
Row Rise (Seatway TP)	260mm	340mm
Row Rise (Maxam Plus)	244mm	295mm

Strength & Stability

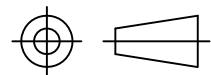
The chair satisfies the requirements of EN 12727:2000.

Fire Retardency

The fabric and foam comply with BS 5852:1990 (Source 0, 1, and 5). Other codes or European Standards can be satisfied as required.



GENERAL TOLERANCE
± 1 mm



THIS DRAWING IS THE PROPERTY AND COPYRIGHT OF HUSSEY SEATWAY LTD. COPYING OR REPRODUCTION WITHOUT WRITTEN PERMISSION IS PROHIBITED. © 2014

Tel: +44 (0)1985 847200
Fax: +44 (0)1985 847300
Email: info@husseyseatway.com

Itemref	Quantity	Title/Name, designation, material, dimension etc	Article No./Reference
---------	----------	--	-----------------------

Discovery Bench

PRODUCT SPECIFICATION
LAYOUT

Metric Version

A3 Scale
1:15