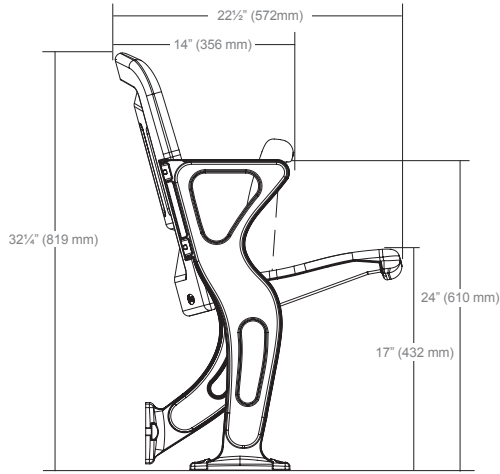


# Seating Layout & Dimensional Data

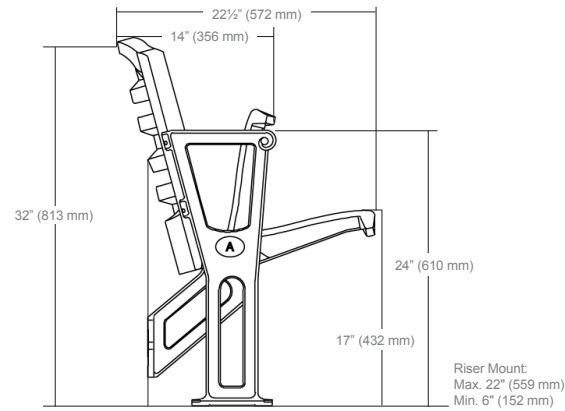
Our Legend™, Fusion™ and Quattro Extreme™ chairs come in a variety of configurations to suit any purpose. Using the options on the previous page and the drawings and information listed here, you can choose any combination of these chairs to develop a custom Hussey Seating solution.

## Stanchion Mounting Options

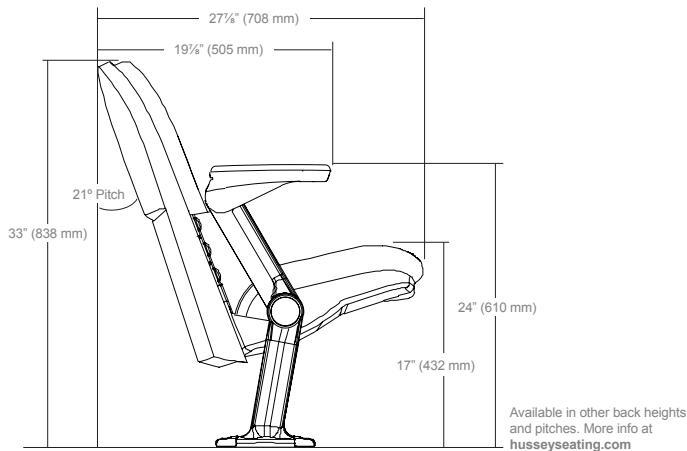
### FUSION



### LEGEND



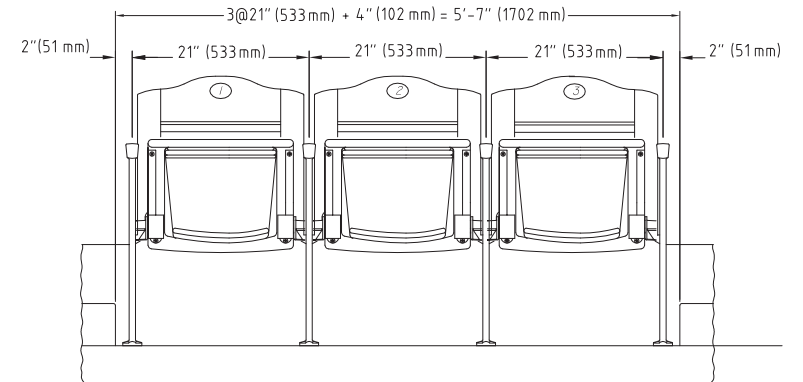
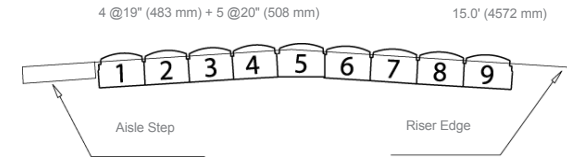
### QUATTRO EXTREME



# Calculating Row Length

These examples illustrate how to maximize the number of seats and calculate spacing for your custom design solution.

- End spacing is 2" (51 mm) per aisle end for a total of 4" (102 mm) per continuous row.
- Note that many row lengths have varying chair size combinations not shown in these examples.

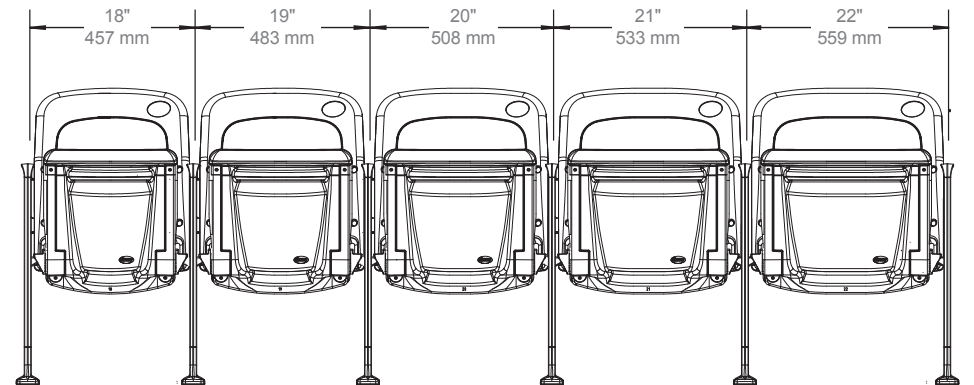


### General Notes:

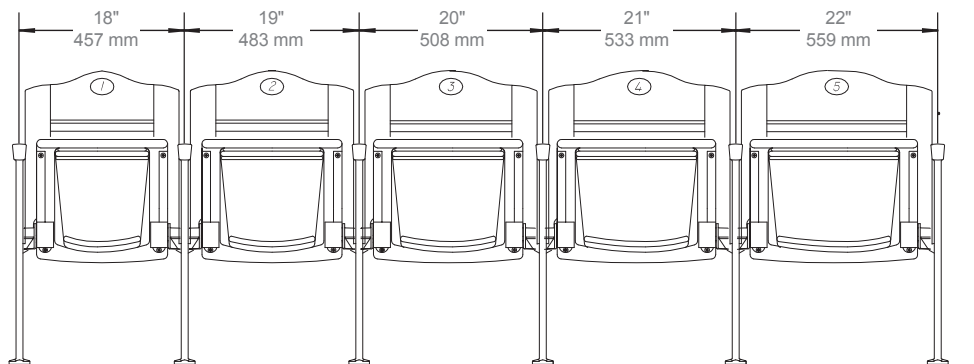
- All Pre-Cast or Poured-in-Place concrete treads must be a min. 4" (102 mm) thick with the top 2" (51 mm) clear of rebar.
- All Pre-Cast or Poured-in-Place concrete risers must be a min. 4 1/2" (114 mm) thick. Proper anchorage will require the first 3" (76 mm) to be free and clear of rebar or any other obstruction.
- All normal concrete must have a min. strength of 3000 psi for proper anchor attachment.
- All light weight concrete must have a min. strength of 5000 psi for proper anchor attachment.
- All steel risers must be a min. 1/4" – 3/8" (6-10 mm) thick Grade A-36 steel.
- All wood floors must be a solid min. 1 1/2" (38 mm) thick.

# Seat Width Options

## FUSION™



## LEGEND™



## QUATTRO EXTREME™

